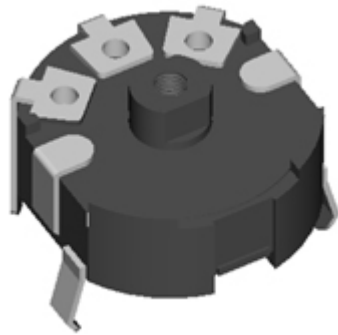


Model(型號): 電位器(旋轉式)-----R08M11H0[x]

[▶ 下載PDF文檔](#)



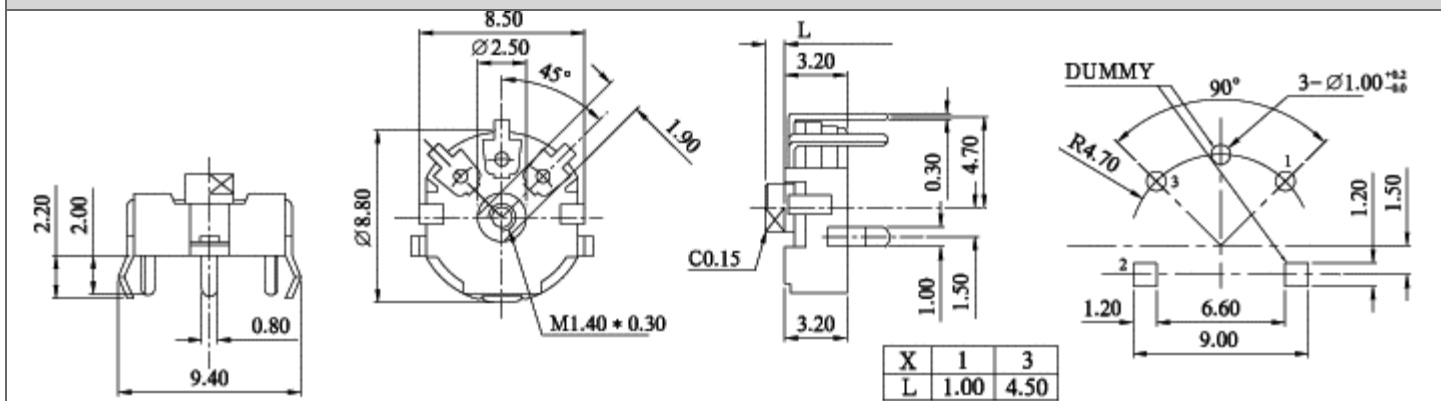
特點:

是薄小設計的理想之選。可提供帶定位的單聯機種。即使去到1.6mmPC板也適用。

作用:

是緊湊、簡約的產品，如：錄音（像）機、TV和CD-ROM等的音量調節和音調控制。

Dimensions(規格圖):



Specifications(規格)

Electrical Characteristics [電氣性能]	
Total resistance [全阻抗值]	5KΩ - 1MΩ
Total resistance tolerance [全阻抗值容許差]	±30%
Ratings power(w) [額定功率]	0.03W
Resistance taper [阻抗變化特性]	A,B,C,,D
Sliding noise [滑動雜音]	100mV Max.
Gang error [連動誤差]	-40dB~0dB ±3dB Max.
Max. operating voltage [最高使用電壓]	AC 50V
Mechanical Characteristics [機械性能]	
Operation torque [回轉力矩]	10~100gf . cm
Rotation stopper strength [止動強度]	1Kgf . cm Min.
Total rotational angle [回轉角度]	200 ±10°
Endurance Characteristics [耐久性能]	
Rotational life [回轉壽命]	More than10,000 cycles